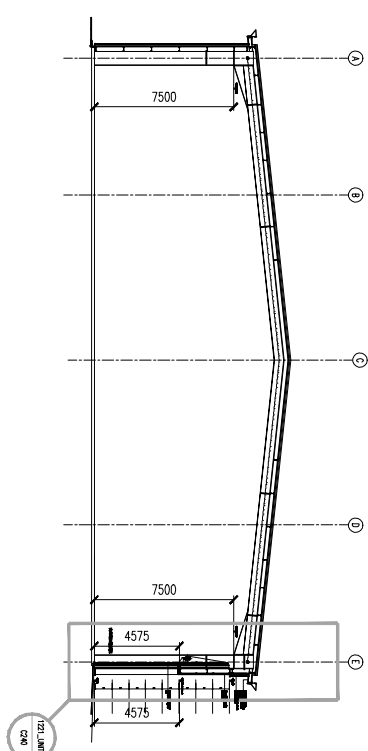
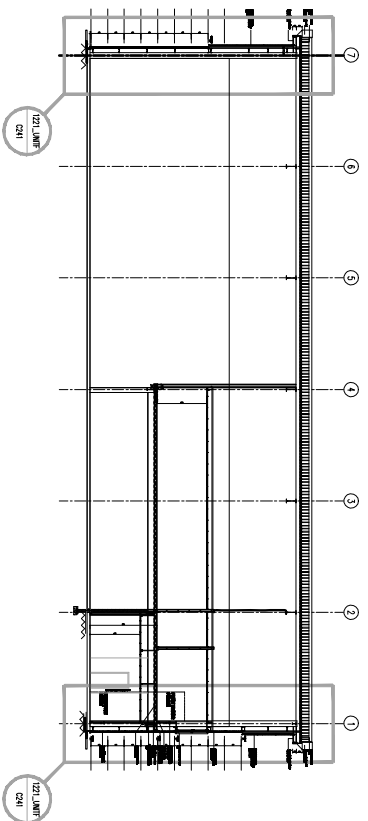


SECTION A-A



SECTION B-B



SECTION C-C

SOUTHERN COMMERCIAL
 UNIT F - SECTIONS 1:200

FletcherArchitects
 Designers & Master Planners

UNITS 1 & 2 INVERGIDE LANE
 COMMERCIAL STREET
 MANCHESTER M15 4RQ
 T +44(0)161 888 1390
 F +44(0)161 888 1391
 info@fletcherarchitects-uk.com
 www.fletcherarchitects-uk.com

PROPOSED COMMERCIAL DEVELOPMENT for HELIOS (INDUSTRIAL DEVELOPMENTS) LTD	REV / DATE	SCALE BY
UNIT F - SECTIONS		
STATUS: AS 1 - REVISION: 1 - DATE: 30.05.07		
DRAWN: RCT CHECKED BY: []		
1:2000A1		
1221 - AB142		